

# Part List by Diagram Number – Sub-Zero 650

**Evaluated by Service Technicians: 9/10 for Reliability and Quality**

The Sub-Zero 650 is a built-in, over-and-under refrigerator/freezer from the 600 Series. It's known for its dual refrigeration system, high-end construction, and long lifespan. Although it's now considered a legacy model, it's still widely used and fully serviceable. Core Features: built-in over/under design; dual refrigeration (separate systems for the refrigerator and freezer); front venting for true built-in installation; illuminated electronic control panel; adjustable spill-proof glass shelves; high-humidity crisper drawer; automatic ice maker; available in framed (650/F) and overlay (650/O) versions. Note: The Sub-Zero 650 does not include a built-in water filter. Dimensions & Capacity: According to Sub-Zero's 600 Series planning guides, full built-in dimensions and storage capacities are listed in the official quick-reference guide, and the model includes detailed installation requirements for cabinetry, ventilation, and clearances. Common Issues & Repair Notes: The 650 is a solid, long-lasting unit, but like any older model, it has predictable wear points. Typical problems include cooling issues (often caused by fan motors, thermostats, or control boards), icemaker problems (assembly, control arm, bucket components, or water valve), door gasket wear (tears, gaps, or bunching), and sealed-system failures in aging units. Cost Expectations: Higher-cost repairs include sealed-system work and compressor replacement, while lower-cost repairs typically involve door gaskets, condiment bin, handles, switches, and general hardware.

## MODEL VARIATION LIST FOR THE 650 SERIES

The 650 model series includes standard-door and glass-door versions, and the G models are the glass-door variations.

Extra letters and suffixes such as /O, /P, /S, /B, LH, RH, and BI identify finish, hinge, or installation variations.

### Complete Model List for the Sub Zero 650:

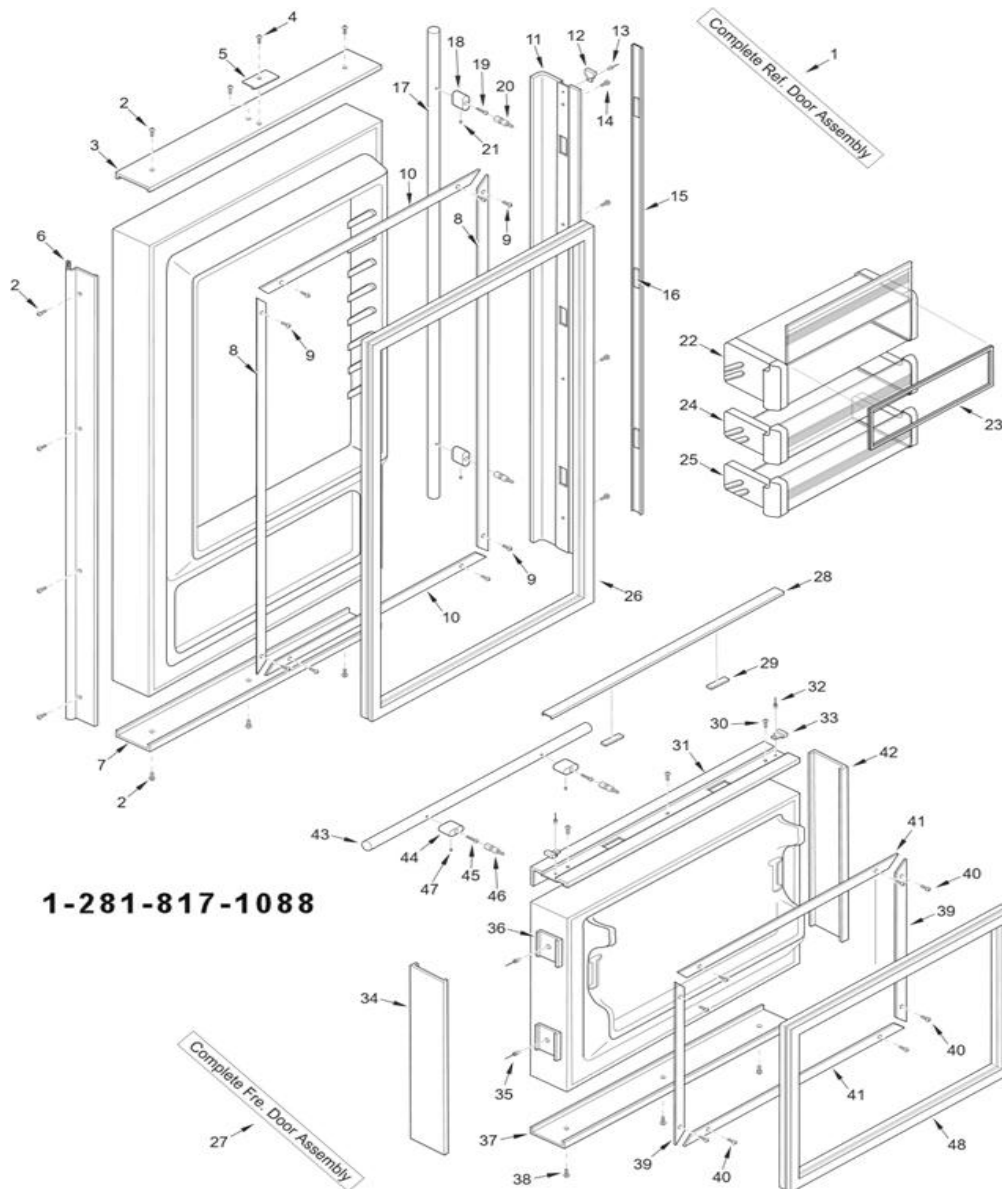
650/F, 650/O, 650/P, 650/S, 650/B, 650/F-LH, 650/F-RH, 650/O-LH, 650/O-RH, 650/P-LH, 650/P-RH, 650/S-LH, 650/S-RH, 650/BI, 650G/F, 650G/O, 650G/P, 650G/S, 650G/B, 650G/F-LH, 650G/F-RH, 650G/O-LH, 650G/O-RH, 650G/P-LH, 650G/P-RH, 650G/S-LH, 650G/S-RH, 650G/O-BI, 650HAGF-LH, 650HAGF-RH, 650HAGI-LH, 650HAGI-RH, 650HAGO-LH, 650HAGO-RH, 650HAGP-LH, 650HAGP-RH, 650HAGS-LH, 650HAGS-RH.

Model	Series	Design	Core Features	Versions	Water Filter	Dimensions & Capacity	Common Issues	Repair Notes	Cost Expectations
Sub-Zero 650	600 Series	Built-in, over-and-under refrigerator/freezer	Dual refrigeration, front venting, illuminated electronic control panel, adjustable spill-proof glass shelves, high-humidity crisper drawer, automatic ice maker	Framed (650/F), Overlay (650/O)	Does not include built-in water filter	Listed in official quick-reference guide; detailed installation requirements for cabinetry, ventilation, and clearances	Cooling issues (fan motors, thermostats, control boards), icemaker problems (assembly, control arm, bucket components, water valve), door gasket wear (tears, gaps, bunching), sealed-system failures	650 is solid, long-lasting; predictable wear points in older models	Higher-cost: sealed-system work, compressor replacement; Lower-cost: door gaskets, condiment bin, handles, switches, general hardware

## **650 DOOR PART LIST**

Door seals and gaskets, door containers, hinges, handles.

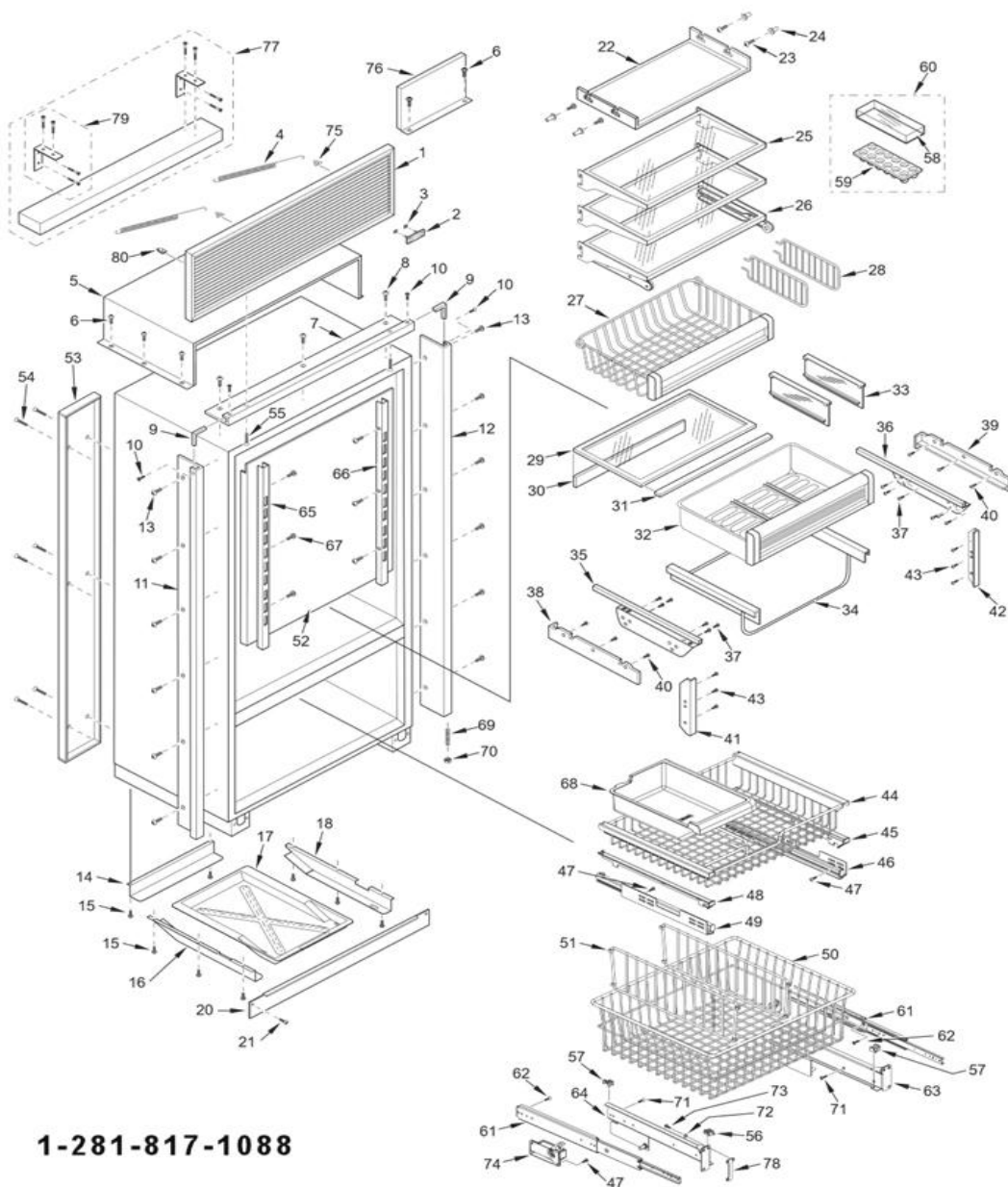
**Diagram**



## 650 INTERIOR PARTS

Glass shelves, baskets, drawers, tracks

### DIAGRAM

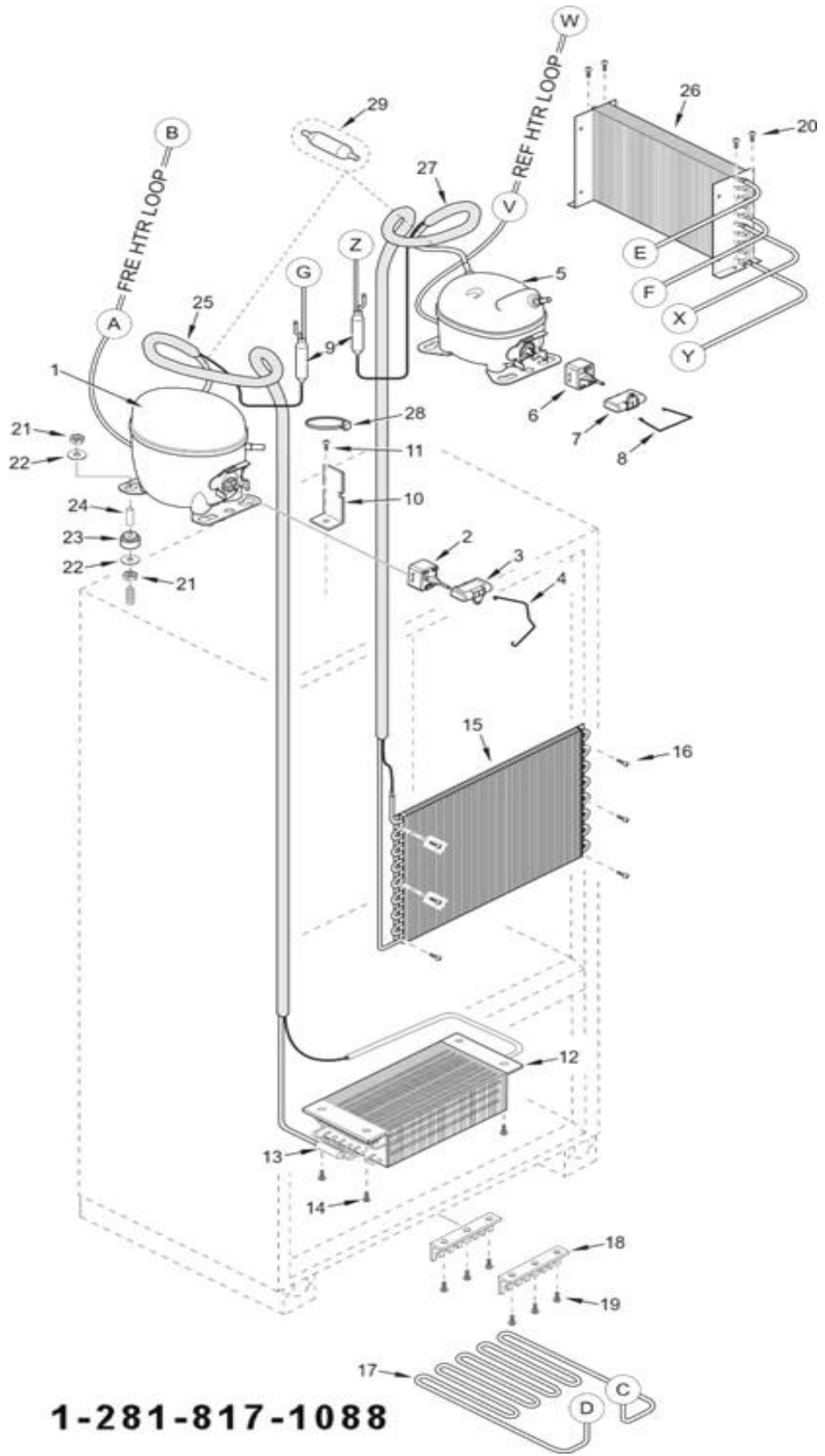


**1-281-817-1088**

## 650 COMPRESSOR PARTS

Compressors, condenser, drain pan heater, compressor relay, overload, capacitor, freezer and refrigerator evaporator coil.

## Diagram



**1-281-817-1088**



Visit [Sub-Zero 650 parts page for model-specific information and ordering help.](#)